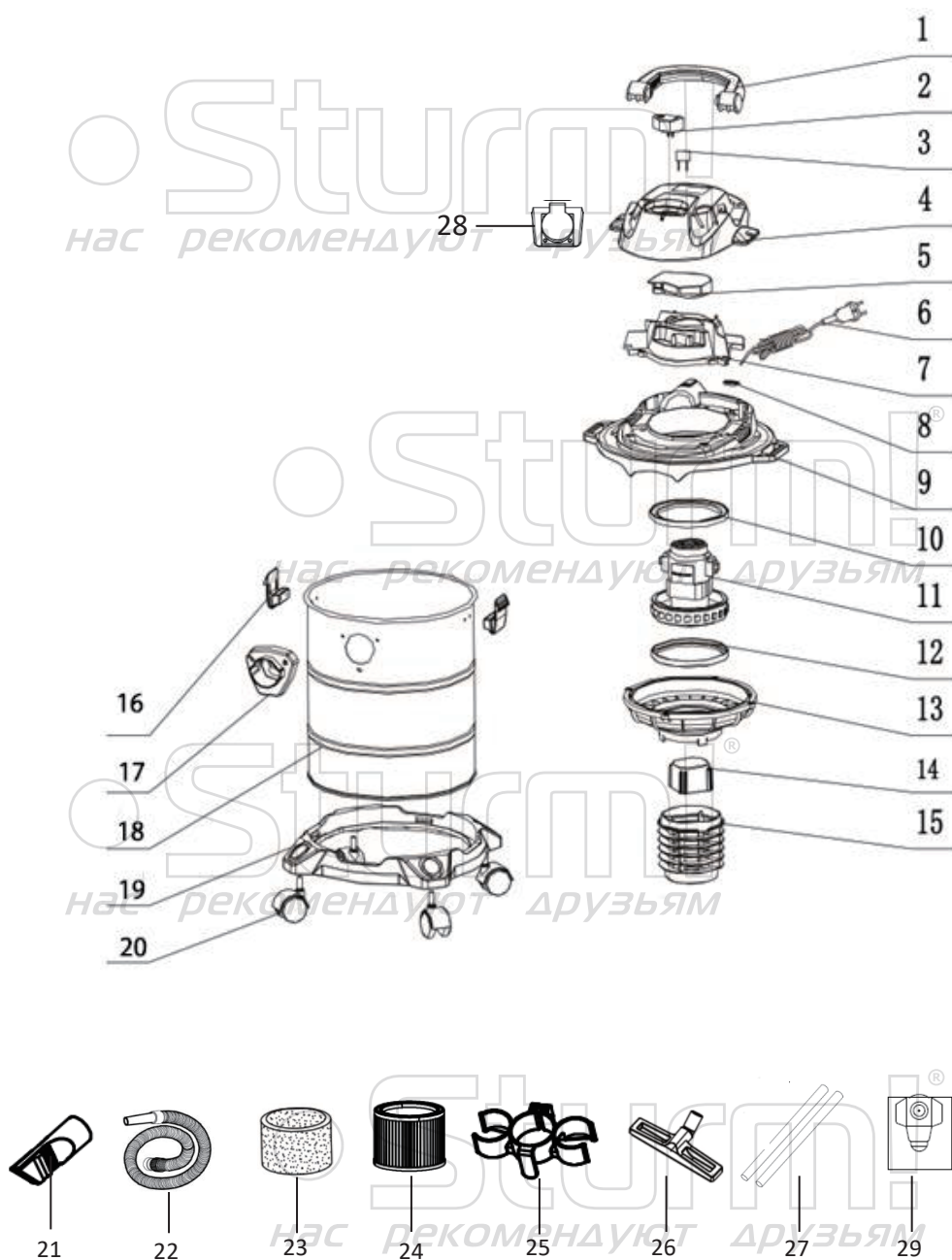


VC7220



NO.	DESCRIPTION
1	Handle
2	Waterproof switch
3	Capacitor
4	Top cover
5	Motor cover
6	Power cable
7	Motor base
8	Cable holder
9	Barrel cap
10	Motor seal ring
11	Motor
12	Motor block
13	Motor base
14	Safety valve
15	Bracket
16	Plastic clip
17	Suction mouth
18	S/S tank
19	Base
20	Universal wheels
21	2 in 1 nozzle
22	Plastic hose
23	Sponge filter
24	Washable HEPA filter
25	Plastic piece for accessories
26	Wet&dry floor brush
27	2pcs plastic tubes
28	Power socket without PCB board
29	Washable cloth filter bag
30	Adapter